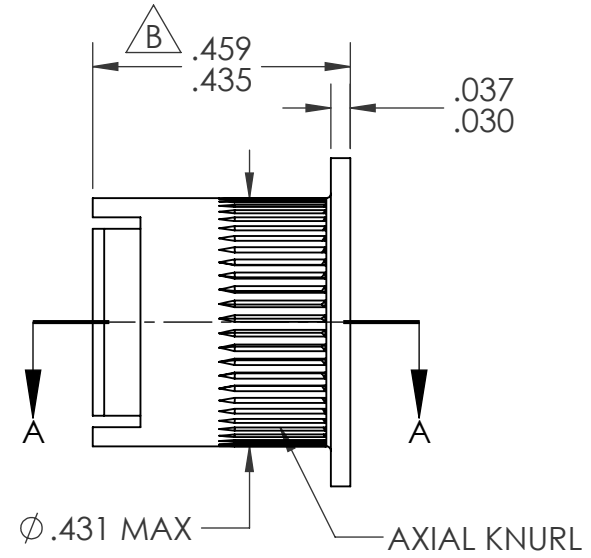
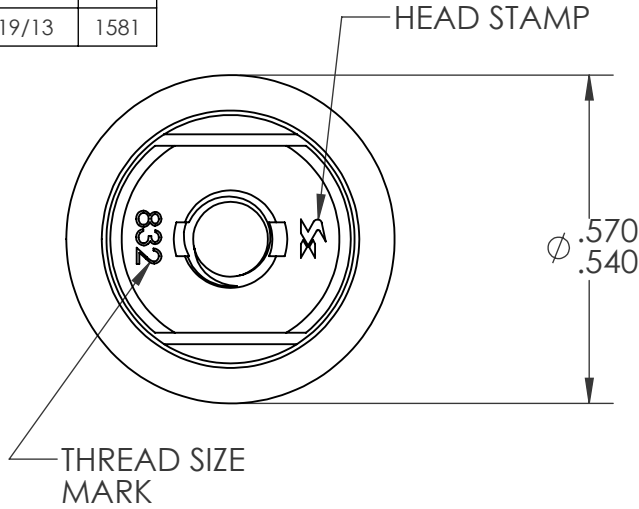
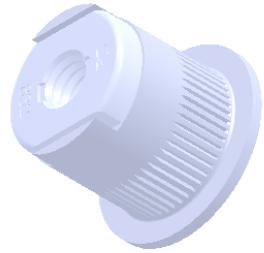
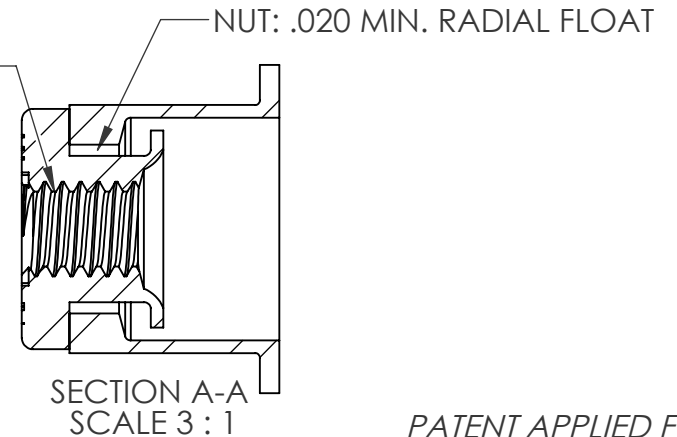


REVISIONS			
REV.	DESCRIPTION	DATE	ECN
A	INITIAL RELEASE	3/8/12	1491
B	BODY LENGTH WAS .418/.394, ADD THREAD SIZE MARK	3/19/13	1581



#8-32 UNC 2B
PER ASME B1.1
MINOR DIA.: .130 - .139



PATENT APPLIED FOR

NOTE:

- GRIP RANGE: .020 - .100
- HOLE SIZE: .433 +.006/-0.000 AFTER ALL APPLIED FINISHES.
- INSTALLED LENGTH: .246 MAX.
- LUBRICATION: NONE
- INSTALLATION TOOL: FLEX 5P/5S WITH HEADSET#: FL5-HS-0832SR

NOTE:

THIS PRODUCT CONFORMS TO IFI 100/107
TABLE 5A PREVAILING TORQUE:
1ST INSTALL: 12.0 IN-LB (MAX)
1ST REMOVAL: 2.0 IN-LB (MIN)
3RD REMOVAL: 0.5 IN-LB (MIN)

PROPRIETARY AND CONFIDENTIAL
THIS DRAWING, AND THE INFORMATION CONTAINED HEREIN, ARE THE PROPERTY OF SHEREX AND ARE NOT TO BE USED IN ANY MANNER DETRIMENTAL TO THE INTEREST OF THE COMPANY.
SHEREX SOLUTIONS RESERVES THE RIGHT TO REVISE PART/DRAWING WITHOUT NOTICE.

		UNLESS OTHERWISE SPECIFIED:	NAME	DATE
		DIMENSIONS ARE IN INCHES TOLERANCES: ANGULAR: MACH ± 1 BEND ± 1 TWO PLACE DECIMAL ± .01 THREE PLACE DECIMAL ± .005	DRAWN	CL 3/8/12
		INTERPRET GEOMETRIC TOLERANCING PER: ASME Y14.5M-1994	CHECKED	
		MATERIAL BODY: C1008/C1010 NUT: C1008	ENG APPR.	JVK 3/8/12
		FINISH BODY & NUT: ZINC PLATE CLEAR TRIVALENT CHROMATE PER SHEREX SFS-01-001	MFG APPR.	
NEXT ASSY	USED ON		Q.A.	JVK 3/8/12
			COMMENTS:	
			E-mail: info@sherex.com	
			www.sherex.com	
			Phone: 866-474-3739	
			Fax: 716-875-0358	
	APPLICATION	DO NOT SCALE DRAWING		

TITLE:		
LARGE FLANGE SHORT RIV-FLOAT WITH MECH. LOCK		
SIZE DWG. NO.	REV	
A RFSL2-0832-100ML	B	
SCALE: 2:1	WEIGHT:	SHEET 1 OF 1